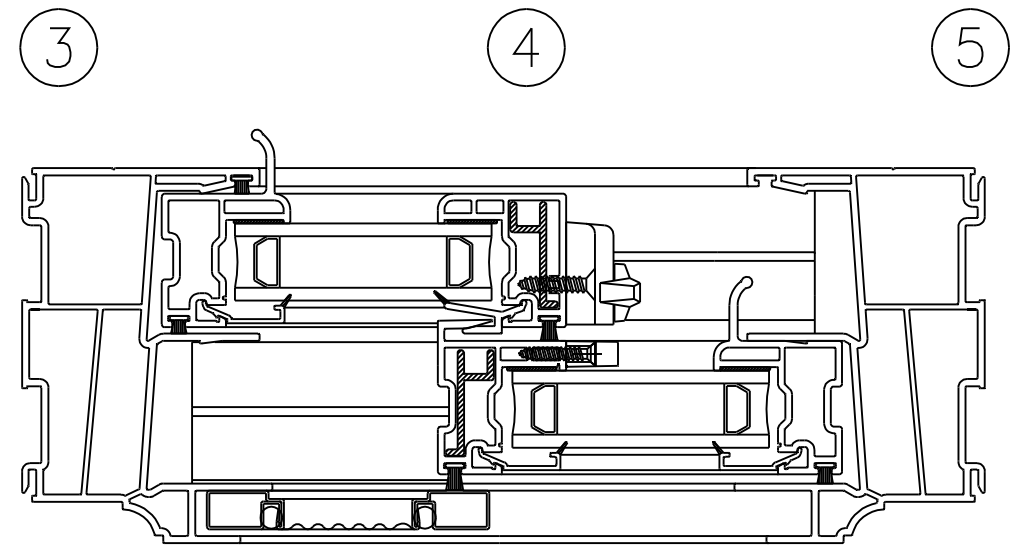
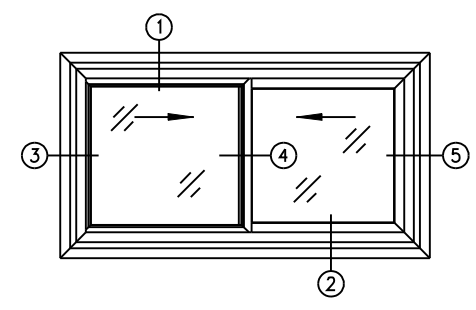
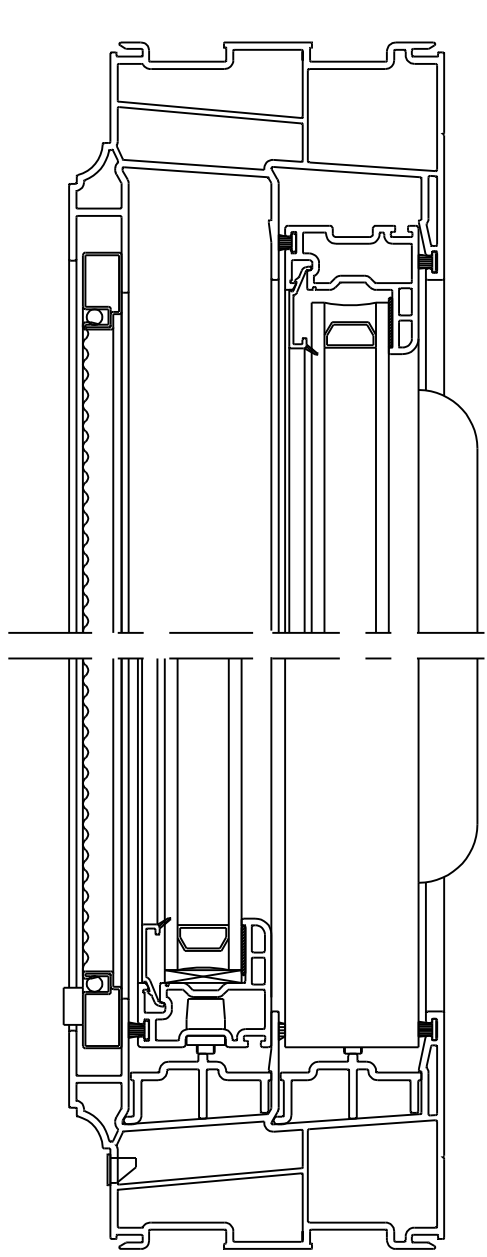


REV.	DATE	DESCRIPTION	BY
□	--/--/---	-----	---



- NOTES:
1. This print contains proprietary information. Do not copy without express written consent of DAYTON TECHNOLOGIES.
  2. DAYTON TECHNOLOGIES reserves the right to change specifications.
  3. Assembly prints are intended to be guidelines only. See detail prints for actual construction.

<b>DAYTON TECHNOLOGIES</b>	
MONROE, OHIO <span style="float: right;">Copyright 2004</span>	
NAME: 144.095 HORIZONTAL SLIDER	
DRAWN BY: CRB	DATE: 01/07/04
CHECKED BY:	DATE:
SCALE: 1 : 1 "C"	
PART / ENG. NO. 144095HS	