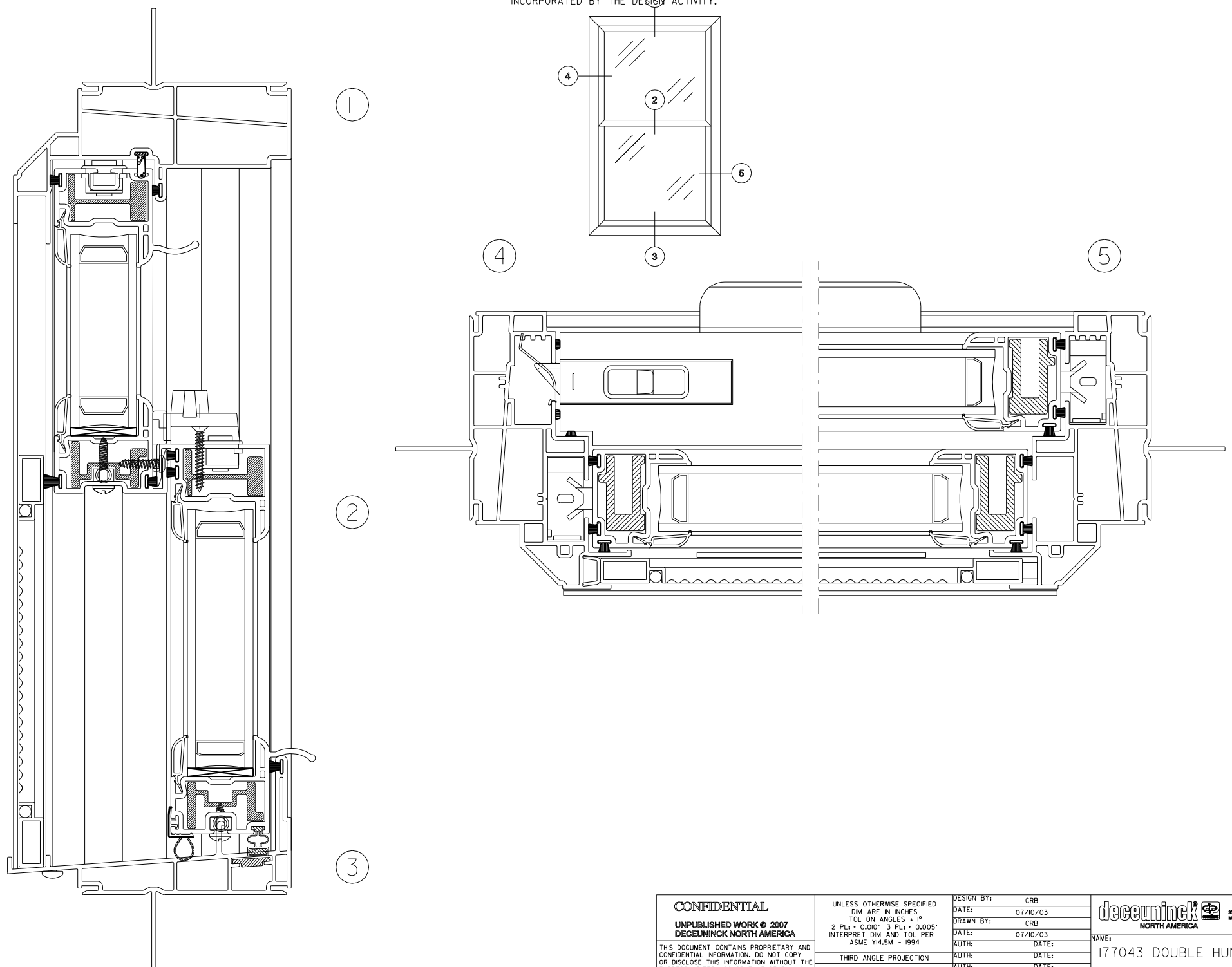



CAD MAINTAINED. CHANGES SHALL BE INCORPORATED BY THE DESIGN ACTIVITY.



<p>CONFIDENTIAL</p> <p>UNPUBLISHED WORK © 2007 DECEUNINCK NORTH AMERICA</p> <p>THIS DOCUMENT CONTAINS PROPRIETARY AND CONFIDENTIAL INFORMATION. DO NOT COPY OR DISCLOSE THIS INFORMATION WITHOUT THE EXPRESS WRITTEN CONSENT OF DECEUNINCK NORTH AMERICA. DECEUNINCK NORTH AMERICA RESERVES THE RIGHT TO CHANGE THIS DRAWING AND ANY ASSOCIATED DOCUMENTS.</p>	<p>UNLESS OTHERWISE SPECIFIED DIM ARE IN INCHES TOL ON ANGLES ± P 2 PL ± 0.010" 3 PL ± 0.005" INTERPRET DIM AND TOL PER ASME Y14.5M - 1994</p>	DESIGN BY: CRB	<p>deceuninck  <small>281 NORTH GAMBER ROAD MORRIS, OHIO 43882</small></p> <p>NORTH AMERICA</p>
		DATE: 07/10/03	
		DRAWN BY: CRB	177043 DOUBLE HUNG-001
		DATE: 07/10/03	SIZE DWG. NO: 177043DH-001
		AUTH: DATE:	SCALE: 1/8" (LBS/FT.)
		AUTH: DATE:	SHEET: NEW
		FILENAME:	
		66577	

1/30/2009 US:IGM \monisr\01\dectech3\data\ dgn\66577.DGN