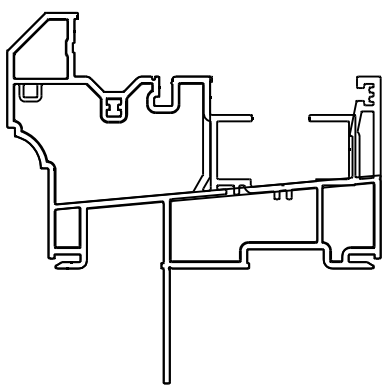
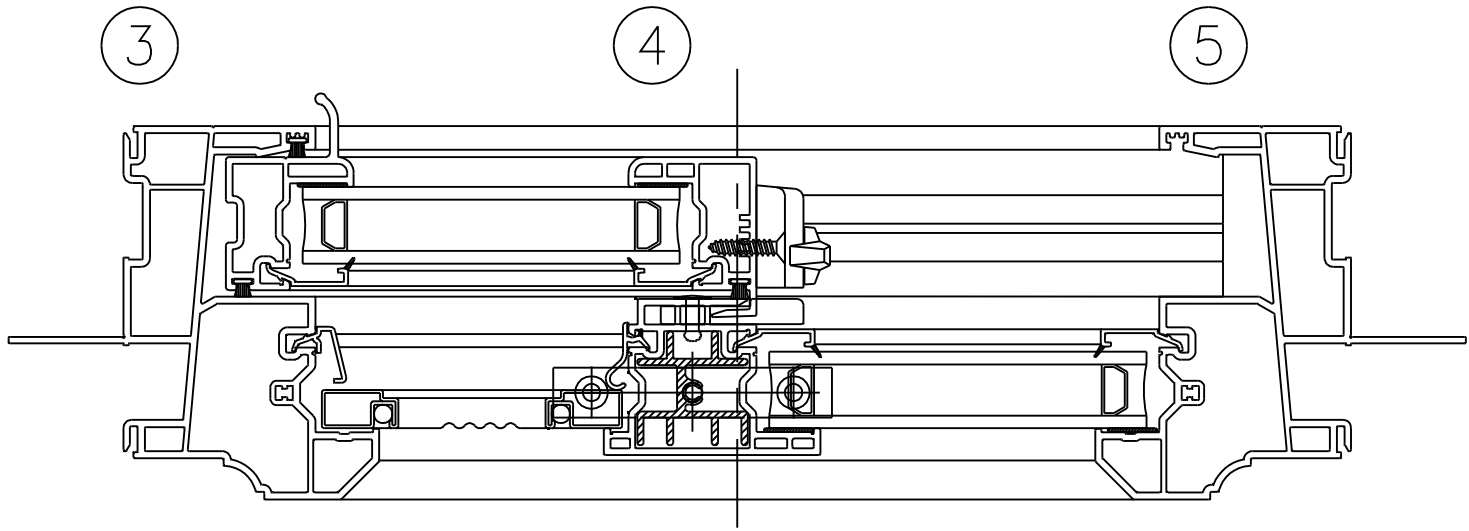
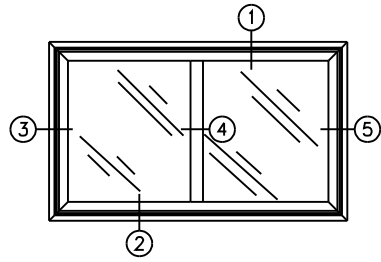
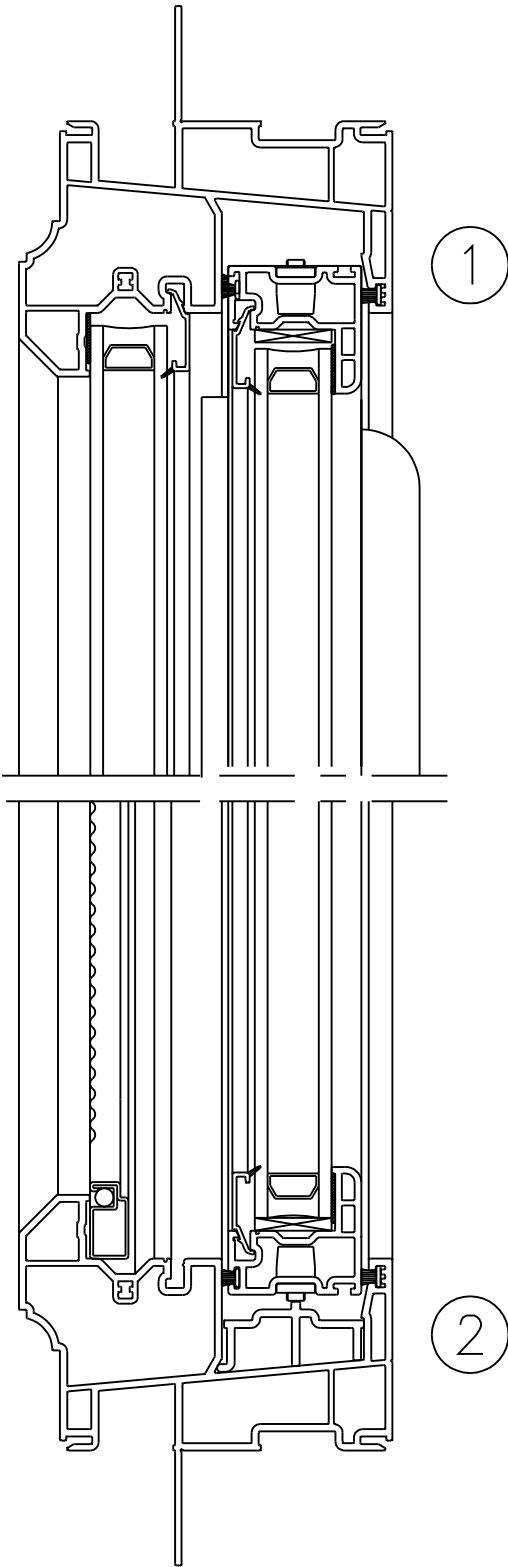


REV.	DATE	DESCRIPTION	BY



- NOTES:
1. This print contains proprietary information. Do not copy without express written consent of DAYTON TECHNOLOGIES.
 2. DAYTON TECHNOLOGIES reserves the right to change specifications.
 3. Assembly prints are intended to be guidelines only. See detail prints for actual construction.

CONFIDENTIAL

**UNPUBLISHED WORK © 2007
DECEUNINCK NORTH AMERICA**

THIS DOCUMENT CONTAINS PROPRIETARY AND CONFIDENTIAL INFORMATION. DO NOT COPY OR DISCLOSE THIS INFORMATION WITHOUT THE EXPRESS WRITTEN CONSENT OF DECEUNINCK NORTH AMERICA. DECEUNINCK NORTH AMERICA RESERVES THE RIGHT TO CHANGE THIS DRAWING AND ANY ASSOCIATED DOCUMENTS.

DAYTON TECHNOLOGIES

MONROE, OHIO Copyright 2000

NAME: 143.095 Single Slider	
DRAWN BY: CRB	DATE: 4/01/04
CHECKED BY:	DATE:
SCALE: 1 : 1 "C"	
PART QWS. NO:	143095SS